

**PLEASE CHECK WWW.MOLEX.COM FOR LATEST PART INFORMATION**

**Part Number:** [0521170341](#)  
**Status:** **Active**  
**Overview:** [splash\\_proof](#)  
**Description:** 2.50mm (.098") Pitch Splash Proof Wire-to-Wire Receptacle Housing, 3 Circuits

**Documents:**

[3D Model](#) [Product Specification PS-52117-004 \(PDF\)](#)  
[Drawing \(PDF\)](#) [RoHS Certificate of Compliance \(PDF\)](#)  
[Product Specification PS-52117-003 \(PDF\)](#)

**General**

Product Family Crimp Housings  
 Series [52117](#)  
 Overview [splash\\_proof](#)  
 Product Name Splash Proof

**Physical**

Circuits (maximum) 3  
 Color - Resin Black  
 Gender Receptacle  
 Glow-Wire Compliant No  
 Lock to Mating Part Yes  
 Material - Resin Polyester  
 Number of Rows 1  
 Packaging Type Tray  
 Panel Mount No  
 Pitch - Mating Interface (in) 0.098 In  
 Pitch - Mating Interface (mm) 2.50 mm  
 Stackable No  
 Temperature Range - Operating -40°C to +105°C

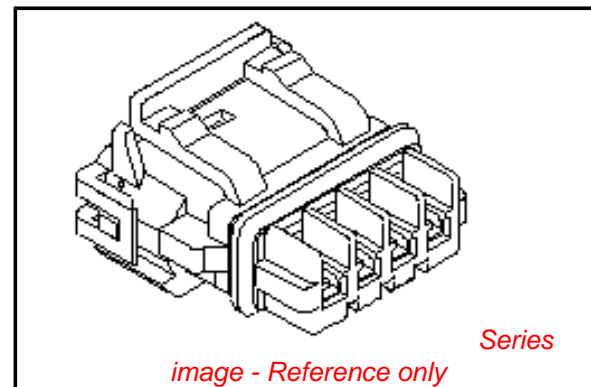
**Electrical**

Current - Maximum per Contact 3A

**Material Info**

**Reference - Drawing Numbers**

Product Specification PS-52117-003, PS-52117-004  
 Sales Drawing SD-52117-03\*\*



**EU RoHS**

**ELV and RoHS  
Compliant**  
**REACH SVHC**  
 Not Reviewed  
**Halogen-Free  
Status**

**China RoHS**



**Need more information on product  
environmental compliance?**

Email [productcompliance@molex.com](mailto:productcompliance@molex.com)  
 For a multiple part number RoHS Certificate of  
 Compliance, [click here](#)

Please visit the [Contact Us](#) section for any  
 non-product compliance questions.

**Search Parts in this Series**

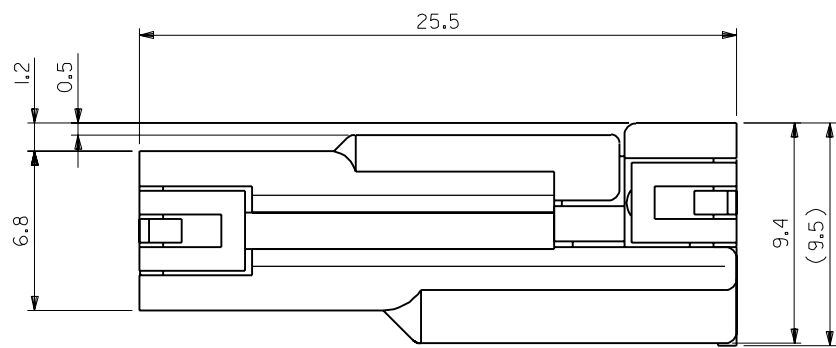
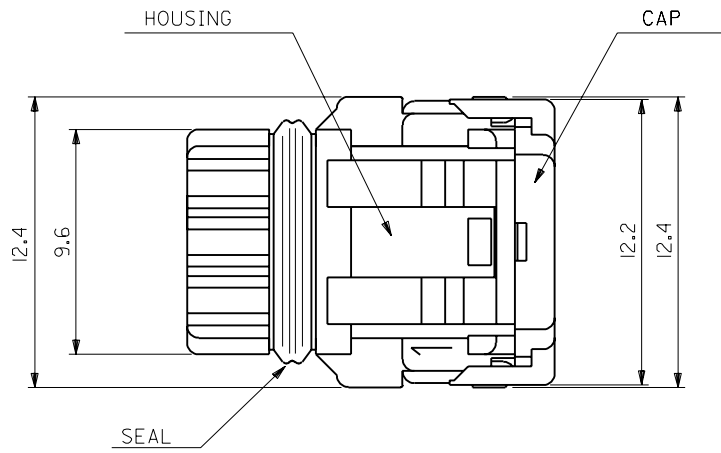
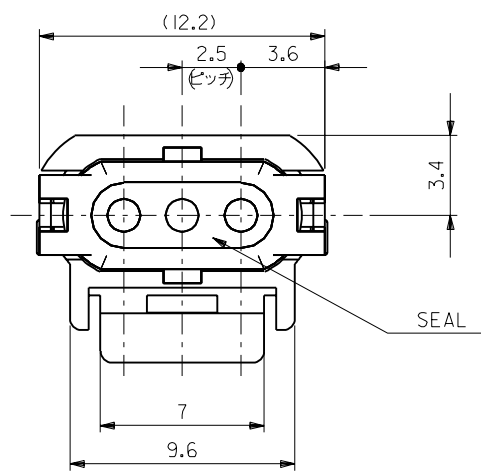
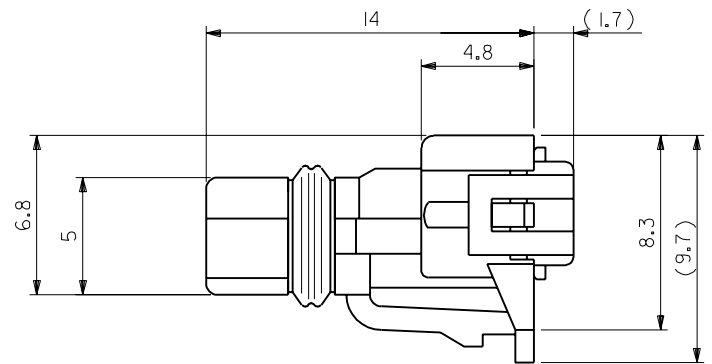
52117Series

**Mates With**

52116

**Use With**

50039

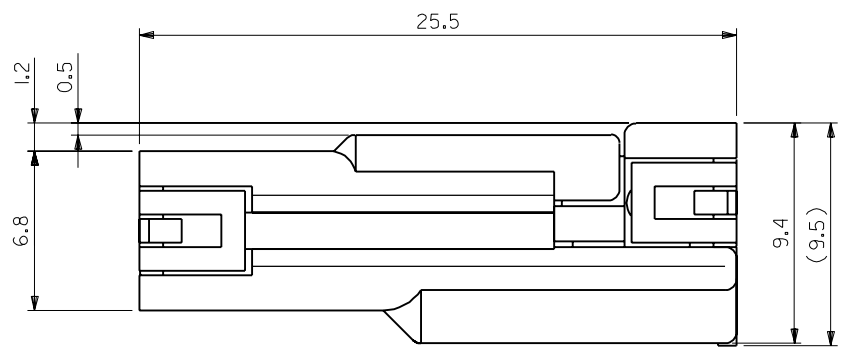
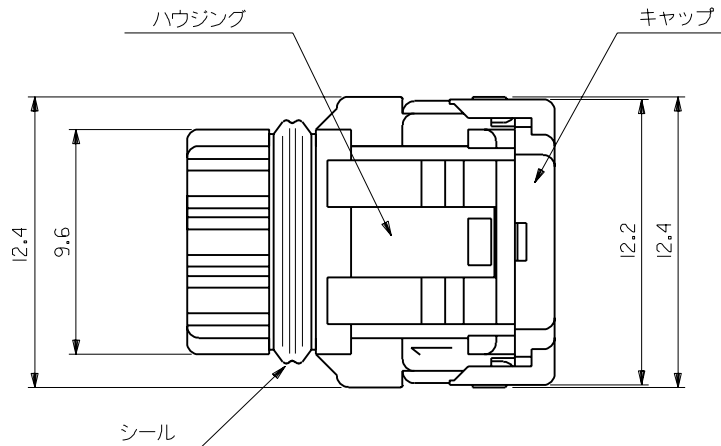
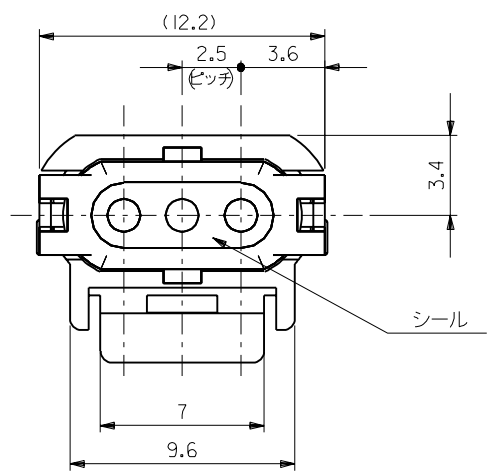
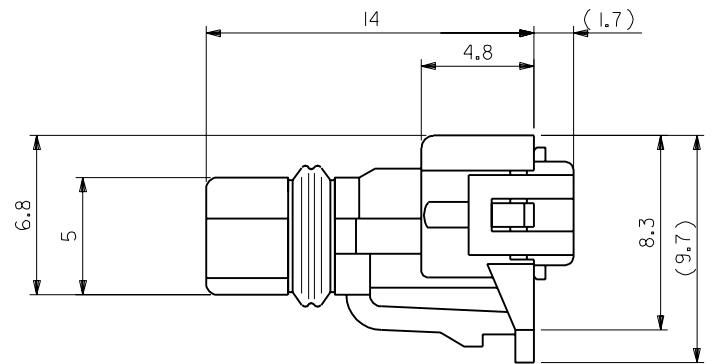


AVS0.3, AWC*20-22	RED	52117-0342
AVS0.3, AWC*20-22	BLACK	52117-0341
AVS0.3, AWC*20-22	WHITE	52117-0340
WIRE RANGE	COLOR	ENG. NO.

- NOTES**
- ACCEPTS CRIMP TERMINAL:50039-8\*00
  - MATE'L:  
 CAP ; POLYESTER(15%G.F.)  
 HOUSING;POLYESTER(15%G.F.)  
 SEAL ;SILICONE
  - MATES WITH:52116-03\*\*
  - COLOR IN THE CHART INDICATES HOUSING COLOR

E REVISED (J90218)		Y.A	3/17/89	材料 MATERIAL	SEE NOTES	MOLEX-JAPAN CO.,LTD. 日本モレックス株式会社
D REVISED (J80600)		Y.A	1/8/88	仕上げ FINISH	//	
C REVISED (J80600)		Y.A	4/15/88	適用電線範囲 WIRE RANGE	SEE CHART	EDP. NO. //
B RELEASED		ECH NO. 6338	M.S	6/25/87	被覆外径 INS. RANGE	ENG. NO. SD-52117-03** REV E
A REVISED			M.S	6/25/87	Ø 1.8-1.9	
O PROPOSED			M.S	6/10/87		
記号 LTR		変更内容	DR. CHK.	日付 DATE	DRAWN BY M.SAKANO	TITLE 名称
一般公差 GENERAL TOLERANCES		REVISION RECORD		APP'D BY M.ENOMOTO	6/10/87	2.5 SPLASH PROOF CONN. REC. HS'G ASS'Y W/POSITIVE LOCK
					尺度 SCALE 5-1	

THIS DRAWING CONTAINS INFORMATION THAT IS PROPRIETARY TO MOLEX(JAPAN) AND SHOULD NOT BE USED WITHOUT WRITTEN PERMISSION  
 本図面は日本モレックス(株)の所有する情報を含むもので 当社の許可なく複製を禁止する。



嵌合状態図

注記

- 適合ターミナル:50039-8\*00
- 材料:  
 キャップ ;ポリエステル(ガラス15%含有)  
 ハウジング;ポリエステル(ガラス15%含有)  
 シール ;シリコンゴム
- 適合相手 : 52116-03\*\*
- 表の色はハウジングの色別を表す。

AVSO.3, AWG#20-22	赤	52117-0342
AVSO.3, AWG#20-22	黒	52117-0341
AVSO.3, AWG#20-22	白	52117-0340
適用電線範囲	色	ENG. NO.

E 変更 (J90218)		Y.A	5/17/89	材料	注記参照	molex MOLEX-JAPAN CO.,LTD. 日本モレックス株式会社
D 変更 (J80600)		Y.A	7/8/88	仕上げ		
C 変更 (J80532)		Y.A	6/16/88	FINISH	//	EDP. NO. //
B 変更 ECN NO. 6338		M.S	8/26/87	適用電線範囲	表参照	ENG. NO. SD-52117-03**
A 変更		M.S	6/25/87	WIRE RANGE	φ 1.8-1.9	REV E
O 新規作図		M.S	6/10/87	被覆外径		TITLE 名称
記号 LTR		変更内容	DR. DATE	INS. RANGE		2.5 SPLASH PROOF CONN. REC. HS'C
一般公差 GENERAL TOLERANCES		REVISION RECORD	CHK. DATE	尺 度	SCALE 5-1	ASS'Y W/POSITIVE LOCK
REVISE ONLY ON CAD SYSTEM				DRAWN BY M.SAKANO	CHK'D BY M.SAKANO	
				APP'D BY M.ENOMOTO	尺 度	